



ECOTEK CANADA PROMOTION TRADE CORPORATION
REGISTERED ADDRESS:
 1188 West Georgia Street, Unit 1660, Vancouver, B.C, Canada, V6E 4A2
 Tel: +1 (778) 928-5580
 Co. Reg. No.: BC0895460
 www.ecotek-canada.vn

ORIGINAL

VALVE REGULATED LEAD ACID BATTERY

Our high quality VRLA batteries are developed with state-of-the-art technology.

- Absorbent Glass Mat (AGM) technology
- Long life
- Small size
- No leakage
- Low self discharge
- No water or electrolyte supplement is required
- Maintenance-free
- They have been widely used in UPS, and other kinds of back-up power.

ECT-2V600

2V600Ah

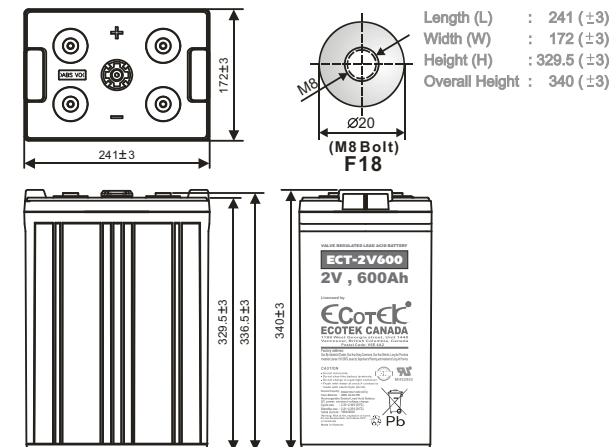
MAINTENANCE-FREE

Product



SẢN PHẨM KHÔNG CẦN BẢO DƯỠNG
ĐƯỢC BẢO HIỂM TRÁCH NHIỆM LÊN ĐẾN 2 TRIỆU USD

Dimensions(mm)



Specifications

Nominal Voltage(V)	2V
Nominal Capacity	
10 hour rate (60A to 1.80V)	600Ah
5 hour rate (102A to 1.75V)	510Ah
1 hour rate (330A to 1.75V)	330Ah
1C (600A to 1.60V)	360Ah
Weight	Approx. 35.7kg
Internal Resistance (at 1KHz)	Approx. 0.5mΩ
Maximum Discharge Current for 5 seconds:	3600A
Design life (at 20°C)	12-15 years
Case Material	ABS UL94 HB
	Option: Flammability resistance of (UL94 V-0)
Terminal	F18

Charging Methods at 25°C (77°F)

Cycle use:

Charging Voltage	2.33 to 2.36V
Coefficient -5.0mV/°C/cell	
Maximum Charging Current	180A

Standby use:

Float Charging Voltage	2.21 to 2.25V
Coefficient -3.0mV/°C/cell	

Operating Temperature Range

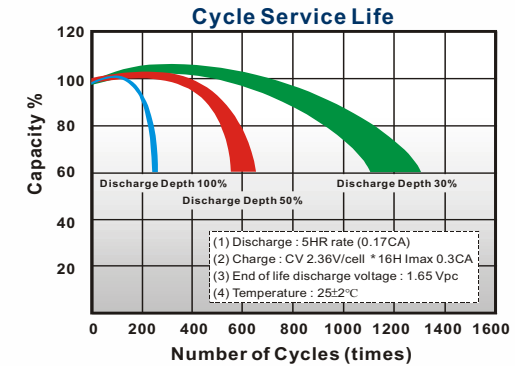
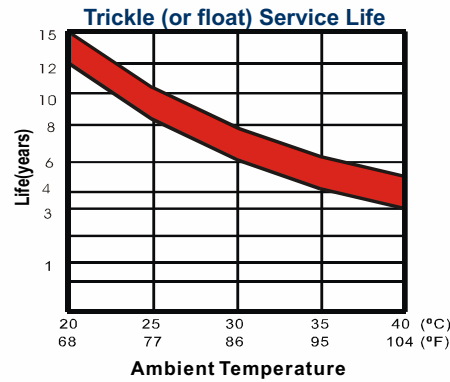
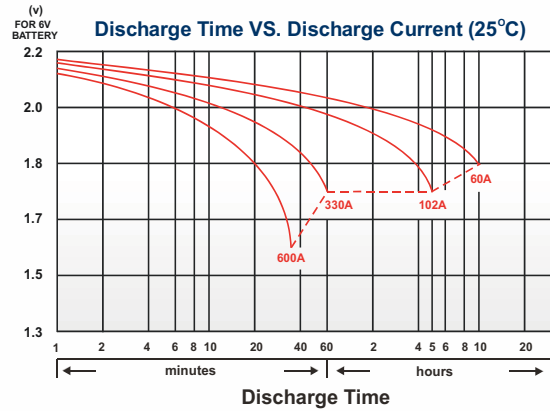
Charge	-15°C(5°F) to 40°C(104°F)
Discharge	-15°C(5°F) to 50°C(122°F)
Storage	-15°C(5°F) to 40°C(104°F)

Charge Retention (shelf life) at 20°C (68°F)

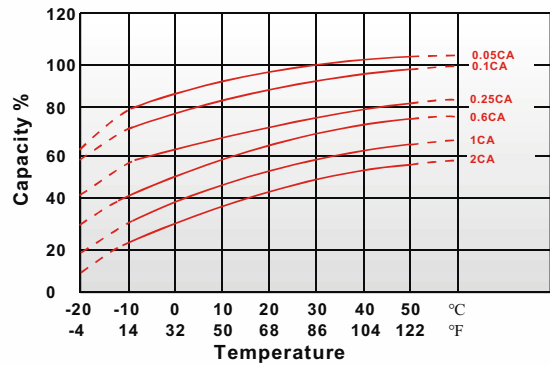
1 month	98%
3 month	94%
6 month	85%

VALVE REGULATED LEAD ACID BATTERY

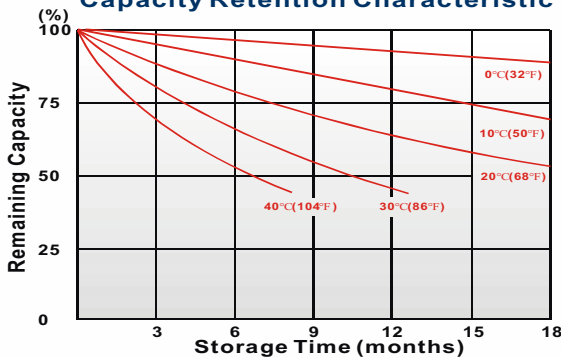
ECT-2V600 2V600Ah



Effect of Temperature on Capacity 25°C(77°F)



Capacity Retention Characteristic



- PERFORMANCE DATA

- Discharge Rates in Watts to Various End Voltages at 25°C (77°F)

End Voltage		1.85V	1.80V	1.75V	1.70V	1.67V	1.65V	1.60V
Time								
20	min	937	1075	1155	1215	1240	1265	1285
30	min	803	891	957	1017	1052	1087	1117
60	min	578	610	635	659	674	689	700
120	min	378	407	416	423	427	430	433
180	min	285	299	306	311	313	314	317
240	min	235	242	249	256	260	263	265
300	min	195	207	215	220	224	227	230
480	min	123	130	135	138	140	141	143
600	min	106	110	113	115	117	118	119
1200	min	56.5	58.1	59.3	60.1	60.4	60.7	60.9

- Discharge Rates in Amperes to Various End Voltages at 25°C (77°F)

End Voltage		1.85V	1.80V	1.75V	1.70V	1.67V	1.65V	1.60V
Time								
20	min	522	605	665	705	720	730	740
30	min	480	539	587	622	642	662	682
60	min	287	327	357	377	384	390	396
120	min	211	238	250	255	259	262	265
180	min	150	157	164	169	171	173	175
240	min	125	131	135	139	142	145	147
300	min	102	109	114	118	121	123	125
480	min	70.8	73.2	74.8	76.0	76.6	77.1	77.6
600	min	60.0	60.4	60.8	61.2	61.4	61.6	61.8
1200	min	30.3	30.7	30.9	31.1	31.2	31.3	31.4

All data on the spec. sheet is an average value:

The tolerance range : $X < 6\text{min}$ (+15%~-15%), $6\text{min} \leq X < 10\text{min}$ (+12%~-12%), $10\text{min} \leq X < 60\text{min}$ (+8%~-8%), $X \geq 60\text{min}$ (+5%~-5%)

Contents in this data sheet are subject to change for improvement without prior notice to users. For clarifications and updated information, please contact us.

CÔNG TY NGUYỄN HÀ
 AUTHORIZED REGIONAL MASTER DISTRIBUTOR IN VIETNAM
 Address : 3/4 Nguyen Van Thu Street, Dakao Ward, District 1, HCM City
 Tell : (028) 39.111.701 - Fax: (028) 39.111.700
 Email : phanphoi@ecotek-canada.vn - dichvu@ecotek-canada.vn
 Website : www.ecotek-canada.vn Call Center: 1800 1558

Factory has been assessed and certified as meeting the requirements of:

- * ISO 14001:2015 Certified by: SGS United Kingdom
- * ISO 45001:2018 Certified by: SGS Taiwan
- * ISO 9001:2015 Certified by: SGS-CSTC Standards Technical Services, China
- * ISO/IEC 17025:2017 Certified by: Ministry Of Science and Technology Of Viet Nam

FACTORY ADDRESS:

Duc My Industrial Cluster, Duc Hoa Dong Commune, Duc Hoa District, Long An Province, Viet Nam

INVESTMENT LICENSE No: 1013126870

ISSUED BY: DEPARTMENT OF PLANNING AND INVESTMENT OF LONG AN PROVINCE