



ECOTEK CANADA PROMOTION TRADE CORPORATION  
**REGISTERED ADDRESS:**  
 1188 West Georgia Street, Unit 1660, Vancouver, B.C, Canada, V6E 4A2  
 Tel: +1 (778) 928-5580  
 Co. Reg. No.: BC0895460  
 www.ecotek-canada.vn

**ORIGINAL**

## VALVE REGULATED LEAD ACID BATTERY

Our high quality VRLA batteries are developed with state-of-the-art technology.

- Absorbent Glass Mat (AGM) technology
- Long life
- Small size
- No leakage
- Low self discharge
- No water or electrolyte supplement is required
- Maintenance-free
- They have been widely used in UPS, and other kinds of back-up power.

# ECT-2V500

# 2V500Ah

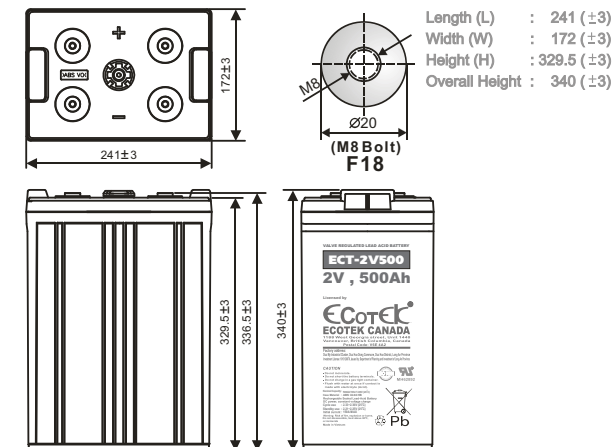
MAINTENANCE-FREE

### Product



**SẢN PHẨM KHÔNG CẦN BẢO DƯỠNG**  
**ĐƯỢC BẢO HIỂM TRÁCH NHIỆM LÊN ĐẾN 2 TRIỆU USD**

### Dimensions(mm)



### Specifications

<b>Nominal Voltage(V)</b>	<b>2V</b>
<b>Nominal Capacity</b>	
10 hour rate (50A to 1.80V)	<b>500Ah</b>
5 hour rate (85A to 1.70V)	<b>425Ah</b>
1 hour rate (300A to 1.60V)	<b>300Ah</b>
1C (500A to 1.60V)	<b>250Ah</b>
<b>Weight</b>	Approx. <b>33.5kg</b>
<b>Internal Resistance (at 1KHz)</b>	Approx. <b>0.5mΩ</b>
<b>Maximum Discharge Current for 5 seconds:</b>	<b>3000A</b>
<b>Design life (at 20°C)</b>	<b>12-15 years</b>
<b>Case Material</b>	<b>ABS UL94 HB</b>
	Option: Flammability resistance of (UL94 V-0)
<b>Terminal</b>	<b>F18</b>

### Charging Methods at 25°C (77°F)

#### Cycle use:

Charging Voltage	<b>2.33 to 2.36V</b>
Coefficient -5.0mV/°C/cell	
Maximum Charging Current	<b>150A</b>

#### Standby use:

Float Charging Voltage	<b>2.21 to 2.25V</b>
Coefficient -3.0mV/°C/cell	

### Operating Temperature Range

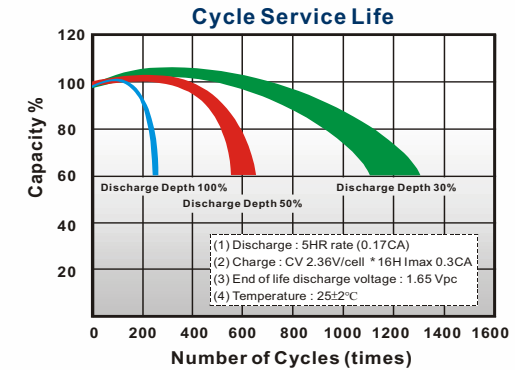
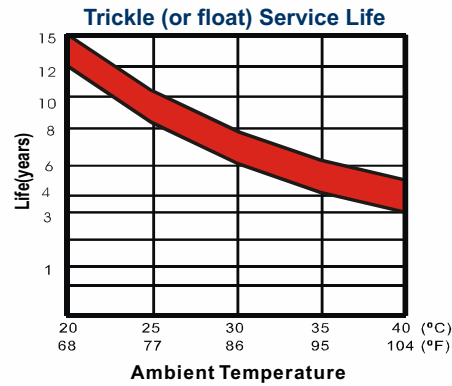
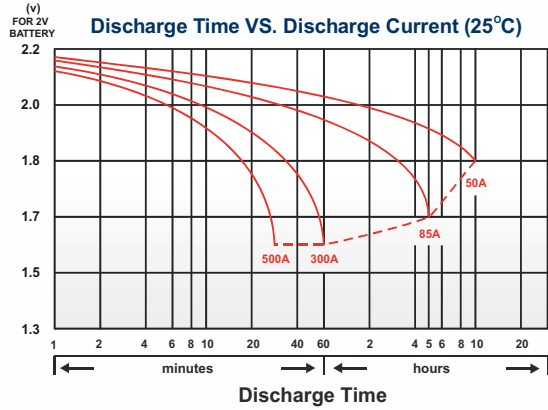
Charge	<b>-15°C(5°F) to 40°C(104°F)</b>
Discharge	<b>-15°C(5°F) to 50°C(122°F)</b>
Storage	<b>-15°C(5°F) to 40°C(104°F)</b>

### Charge Retention (shelf life) at 20°C (68°F)

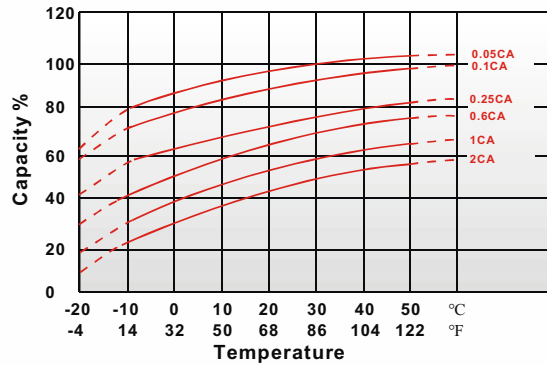
1 month	<b>98%</b>
3 month	<b>94%</b>
6 month	<b>85%</b>

# VALVE REGULATED LEAD ACID BATTERY

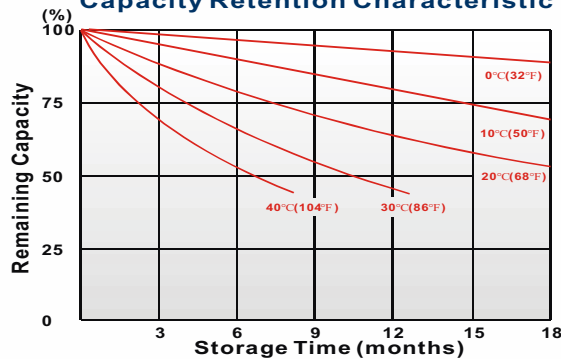
# ECT-2V500 2V500Ah



## Effect of Temperature on Capacity 25°C(77°F)



## Capacity Retention Characteristic



## - PERFORMANCE DATA

- Discharge Rates in Watts to Various End Voltages at 25°C (77°F)

End Voltage		1.85V	1.80V	1.75V	1.70V	1.65V	1.60V
Time							
20	min	895	980	1072	1135	1200	1266
30	min	757	830	910	958	1005	1045
60	min	518	553	599	612	629	640
120	min	324	341	358	360	365	369
180	min	244	255	267	275	285	292
240	min	179	188	198	207	212	216
300	min	157	166	173	178	182	185
480	min	113	118	123	125	127	129
600	min	94.7	97.0	99.0	102	103	104
1200	min	51.6	53.2	54.4	55.1	55.5	55.9

## - Discharge Rates in Amperes to Various End Voltages at 25°C (77°F)

End Voltage		1.85V	1.80V	1.75V	1.70V	1.65V	1.60V
Time							
20	min	517	575	628	670	693	715
30	min	419	471	524	571	613	644
60	min	277	305	330	347	364	377
120	min	170	193	210	218	226	233
180	min	125	134	142	148	154	160
240	min	106	113	118	121	124	127
300	min	82.1	87.8	93.5	95.9	96.9	97.5
480	min	58.3	60.3	62.1	62.7	63.3	63.7
600	min	48.3	50.0	50.4	50.6	50.8	51.0
1200	min	24.9	25.8	26.2	26.5	26.8	27.1

All data on the spec. sheet is an average value:

The tolerance range :  $X < 6\text{min}$ (+15%~-15%),  $6\text{min} \leq X < 10\text{min}$ (+12%~-12%),  $10\text{min} \leq X < 60\text{min}$ (+8%~-8%),  $X \geq 60\text{min}$ (+5%~-5%)

Contents in this data sheet are subject to change for improvement without prior notice to users. For clarifications and updated information, please contact us.

**CÔNG TY NGUYỄN HÀ**  
 AUTHORIZED REGIONAL MASTER DISTRIBUTOR IN VIETNAM  
 Address : 3/4 Nguyen Van Thu Street, Dakao Ward, District 1, HCM City  
 Tell : (028) 39.111.701 - Fax: (028) 39.111.700  
 Email : phanphoi@ecotek-canada.vn - dichvu@ecotek-canada.vn  
 Website : www.ecotek-canada.vn Call Center: 1800 1558

Factory has been assessed and certified as meeting the requirements of:

- \* ISO 14001:2015 Certified by: SGS United Kingdom
- \* ISO 45001:2018 Certified by: SGS Taiwan
- \* ISO 9001:2015 Certified by: SGS-CSTC Standards Technical Services, China
- \* ISO/IEC 17025:2017 Certified by: Ministry Of Science and Technology Of Viet Nam

FACTORY ADDRESS:

Duc My Industrial Cluster, Duc Hoa Dong Commune, Duc Hoa District, Long An Province, Viet Nam

INVESTMENT LICENSE No: 1013126870

ISSUED BY: DEPARTMENT OF PLANNING AND INVESTMENT OF LONG AN PROVINCE