



ECOTEK CANADA PROMOTION TRADE CORPORATION  
 REGISTERED ADDRESS:  
 1188 West Georgia Street, Unit 1660, Vancouver, B.C, Canada, V6E 4A2  
 Tel: +1 (778) 928-5580  
 Co. Reg. No.: BC0895460  
 www.ecotek-canada.vn

**ORIGINAL**

## VALVE REGULATED LEAD ACID BATTERY

Our high quality VRLA batteries are developed with state-of-the-art technology.

- Absorbent Glass Mat (AGM) technology
- Long life
- Small size
- No leakage
- Low self discharge
- No water or electrolyte supplement is required
- Maintenance-free
- They have been widely used in UPS, and other kinds of back-up power.

# ECT-2V400

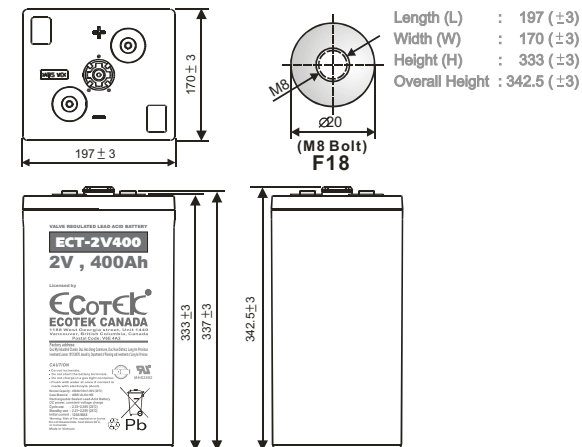
**2V400Ah**  
 MAINTENANCE-FREE

### Product



**SẢN PHẨM KHÔNG CẦN BẢO DƯỠNG**  
**ĐƯỢC BẢO HIỂM TRÁCH NHIỆM LÊN ĐẾN 2 TRIỆU USD**

### Dimensions(mm)



### Specifications

<b>Nominal Voltage(V)</b>	<b>2V</b>
<b>Nominal Capacity</b>	
10 hour rate (40A to 1.80V)	<b>400Ah</b>
5 hour rate (68A to 1.70V)	<b>340Ah</b>
1 hour rate (240A to 1.60V)	<b>240Ah</b>
1C (400A to 1.60V)	<b>200Ah</b>
<b>Weight</b>	Approx. <b>25.5kg</b>
<b>Internal Resistance (at 1KHz)</b>	Approx. <b>0.45mΩ</b>
<b>Maximum Discharge Current for 5 seconds:</b>	<b>2400A</b>
<b>Design life (at 20°C)</b>	<b>12-15 years</b>
<b>Case Material</b>	<b>ABS UL94 HB</b>
	Option: Flammability resistance of (UL94 V-0)
<b>Terminal</b>	<b>F18</b>

### Charging Methods at 25°C (77°F)

#### Cycle use:

Charging Voltage	<b>2.33 to 2.36V</b>
Coefficient -5.0mV/°C/cell	
Maximum Charging Current	<b>120A</b>

#### Standby use:

Float Charging Voltage	<b>2.21 to 2.25V</b>
Coefficient -3.0mV/°C/cell	

### Operating Temperature Range

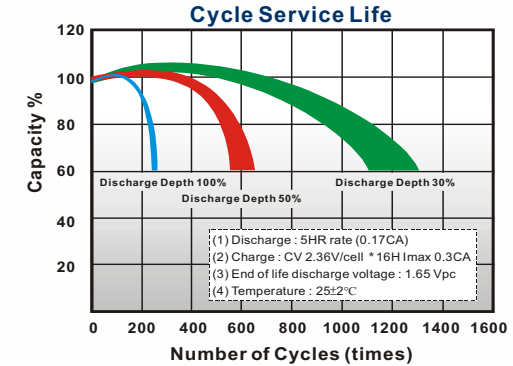
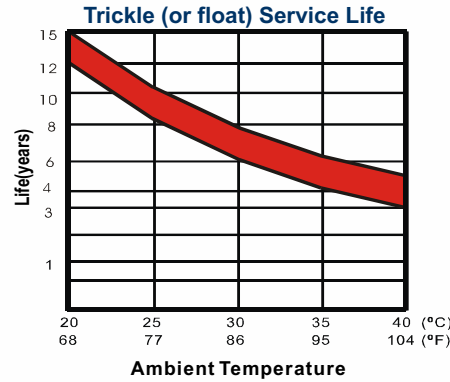
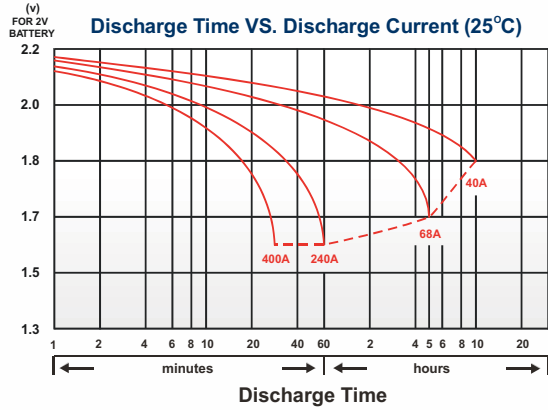
Charge	<b>-15°C(5°F) to 40°C(104°F)</b>
Discharge	<b>-15°C(5°F) to 50°C(122°F)</b>
Storage	<b>-15°C(5°F) to 40°C(104°F)</b>

### Charge Retention (shelf life) at 20°C (68°F)

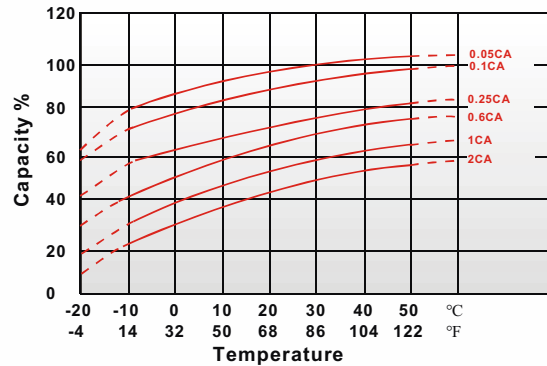
1 month	<b>98%</b>
3 month	<b>94%</b>
6 month	<b>85%</b>

# VALVE REGULATED LEAD ACID BATTERY

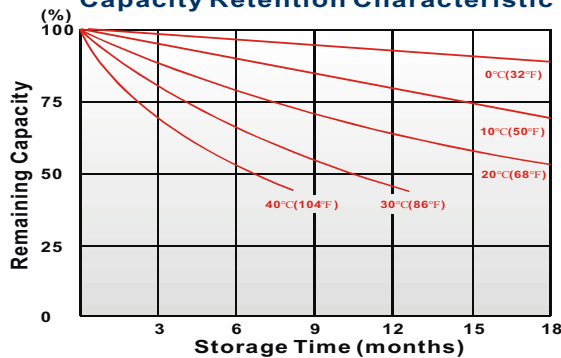
# ECT-2V400 2V400Ah



## Effect of Temperature on Capacity 25°C(77°F)



## Capacity Retention Characteristic



## - PERFORMANCE DATA

- Discharge Rates in Watts to Various End Voltages at 25°C (77°F)

End Voltage		1.85V	1.80V	1.75V	1.70V	1.65V	1.60V
20	min	516	578	613	644	671	692
30	min	483	514	538	556	573	586
60	min	272	297	316	332	345	354
120	min	167	178	188	197	205	211
180	min	127	136	144	151	158	163
240	min	108	115	120	125	129	132
300	min	95.7	101	105	109	112	114
360	min	84.7	89.4	92.6	95.2	97.1	98.6
480	min	67.6	70.9	73.5	75.7	77.3	78.4
600	min	56.7	59.6	61.8	63.6	64.9	65.7
1200	min	30.2	31.5	32.4	33.2	34.0	34.5

## - Discharge Rates in Amperes to Various End Voltages at 25°C (77°F)

End Voltage		1.85V	1.80V	1.75V	1.70V	1.65V	1.60V
20	min	246	288	317	345	368	381
30	min	218	251	276	299	317	325
60	min	135	152	165	176	183	189
120	min	92.9	97.3	102	106	110	113
180	min	68.5	73.2	76.1	78.8	81.4	83.8
240	min	54.1	57.7	60.3	62.5	64.6	66.4
300	min	46.6	49.5	51.6	53.4	55.1	56.5
360	min	40.2	42.6	44.7	46.6	48.1	49.2
480	min	33.4	35.1	36.3	37.4	38.2	39.0
600	min	29.1	30.2	31.1	31.8	32.4	32.9
1200	min	14.9	15.6	16.1	16.6	17.0	17.3

All data on the spec. sheet is an average value:

The tolerance range : X<6min(+15%~-15%), 6min≤X<10min(+12%~-12%), 10min≤X<60min(+8%~-8%), X≥60min(+5%~-5%)

Contents in this data sheet are subject to change for improvement without prior notice to users. For clarifications and updated information, please contact us.

**CÔNG TY NGUYỄN HÀ**  
 AUTHORIZED REGIONAL MASTER DISTRIBUTOR IN VIETNAM  
 Address : 3/4 Nguyen Van Thu Street, Dakao Ward, District 1, HCM City  
 Tell : (028) 39.111.701 - Fax: (028) 39.111.700  
 Email : phanphoi@ecotek-canada.vn - dichvu@ecotek-canada.vn  
 Website : www.ecotek-canada.vn Call Center: 1800 1558

## Factory has been assessed and certified as meeting the requirements of:

- \* ISO 14001:2015 Certified by: SGS United Kingdom
- \* ISO 45001:2018 Certified by: SGS Taiwan
- \* ISO 9001:2015 Certified by: SGS-CSTC Standards Technical Services, China
- \* ISO/IEC 17025:2017 Certified by: Ministry Of Science and Technology Of Viet Nam

## FACTORY ADDRESS:

Duc My Industrial Cluster, Duc Hoa Dong Commune, Duc Hoa District, Long An Province, Viet Nam

INVESTMENT LICENSE No: 1013126870

ISSUED BY: DEPARTMENT OF PLANNING AND INVESTMENT OF LONG AN PROVINCE