



ECOTEK CANADA PROMOTION TRADE CORPORATION  
 REGISTERED ADDRESS:  
 1188 West Georgia Street, Unit 1660, Vancouver, B.C, Canada, V6E 4A2  
 Tel: +1 (778) 928-5580  
 Co. Reg. No.: BC0895460  
 www.ecotek-canada.vn

**ORIGINAL**

## VALVE REGULATED LEAD ACID BATTERY

Our high quality VRLA batteries are developed with state-of-the-art technology.

- Absorbent Glass Mat (AGM) technology
- Long life
- Small size
- No leakage
- Low self discharge
- No water or electrolyte supplement is required
- Maintenance-free
- They have been widely used in UPS, and other kinds of back-up power.

# ECT-2V200

# 2V200Ah

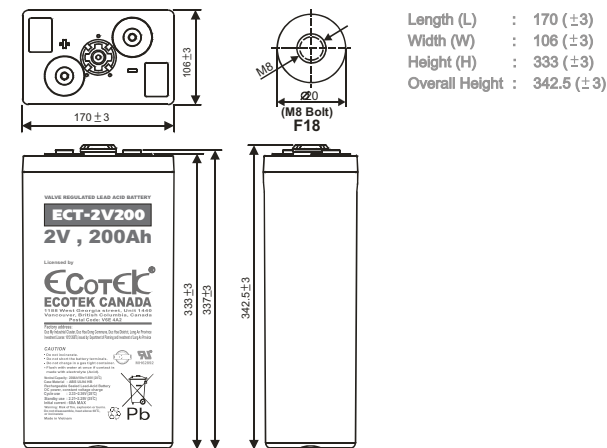
MAINTENANCE-FREE

### Product



**SẢN PHẨM KHÔNG CẦN BẢO DƯỠNG  
 ĐƯỢC BẢO HIỂM TRÁCH NHIỆM LÊN ĐẾN 2 TRIỆU USD**

### Dimensions(mm)



### Specifications

<b>Nominal Voltage(V)</b>	<b>2V</b>
<b>Nominal Capacity</b>	
10 hour rate (20A to 1.80V)	<b>200Ah</b>
5 hour rate (34A to 1.70V)	<b>170Ah</b>
1 hour rate (120A to 1.60V)	<b>120Ah</b>
1C (200A to 1.60V)	<b>100Ah</b>
<b>Weight</b>	Approx. <b>14.0kg</b>
<b>Internal Resistance (at 1KHz)</b>	Approx. <b>0.8mΩ</b>
<b>Maximum Discharge Current for 5 seconds:</b>	<b>1200A</b>
<b>Design life (at 20°C)</b>	<b>12-15 years</b>
<b>Case Material</b>	<b>ABS UL94 HB</b>
	Option: Flammability resistance of (UL94 V-0)
<b>Terminal</b>	<b>F18</b>

### Charging Methods at 25°C (77°F)

<b>Cycle use:</b>	
Charging Voltage	<b>2.33 to 2.36V</b>
Coefficient -5.0mV/°C/cell	
Maximum Charging Current	<b>60A</b>
<b>Standby use:</b>	
Float Charging Voltage	<b>2.21 to 2.25V</b>
Coefficient -3.0mV/°C/cell	

### Operating Temperature Range

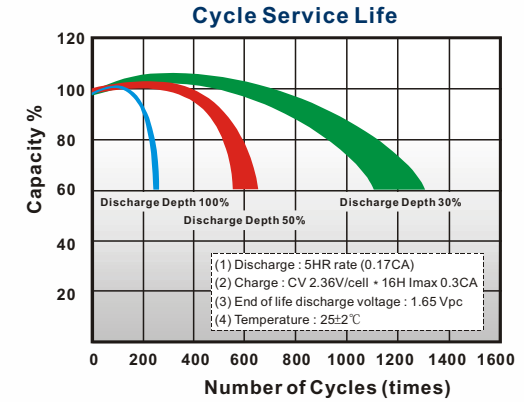
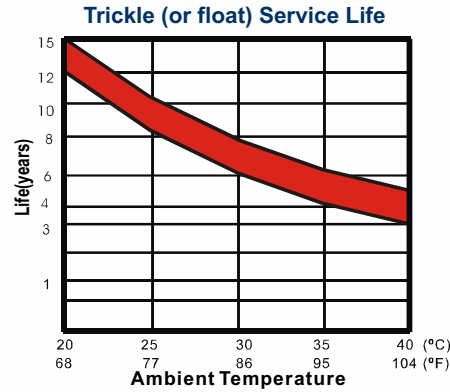
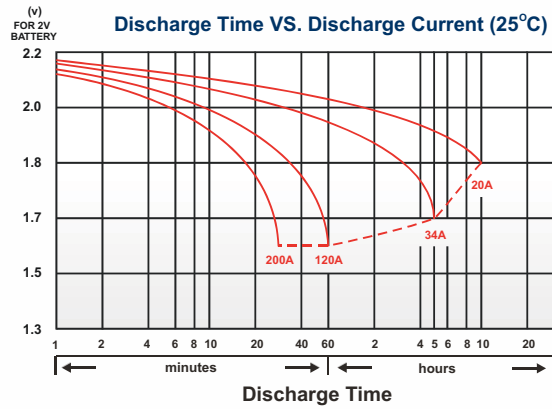
Charge	<b>-15°C(5°F) to 40°C(104°F)</b>
Discharge	<b>-15°C(5°F) to 50°C(122°F)</b>
Storage	<b>-15°C(5°F) to 40°C(104°F)</b>

### Charge Retention (shelf life) at 20°C (68°F)

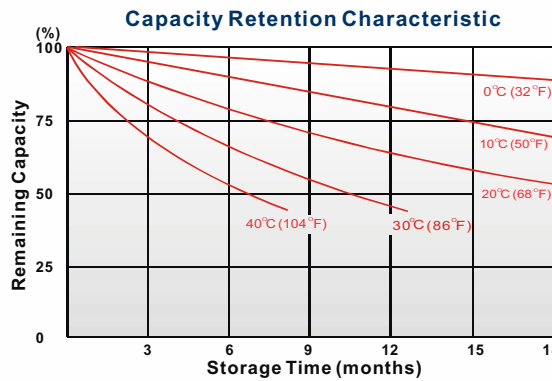
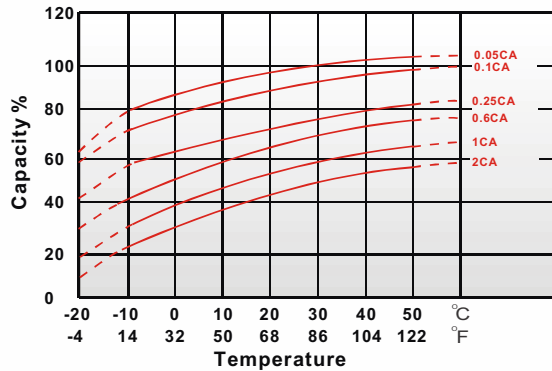
1 month	<b>98%</b>
3 month	<b>94%</b>
6 month	<b>85%</b>

# VALVE REGULATED LEAD ACID BATTERY

# ECT-2V200 2V200Ah



## Effect of Temperature on Capacity 25°C (77°F)



## - PERFORMANCE DATA

### - Discharge Rates in Watts to Various End Voltages at 25°C (77°F)

End Voltage		1.85V	1.80V	1.75V	1.70V	1.65V	1.60V
Time							
20	min	307	348	383	414	439	458
30	min	283	297	324	347	364	379
60	min	184	203	212	221	229	236
120	min	107	116	123	130	136	141
180	min	87.9	94.3	99.4	103	106	109
240	min	75.2	79.9	82.8	85.4	87.5	89.4
300	min	66.5	69.3	71.6	73.5	75.2	76.5
360	min	59.3	61.2	62.9	64.4	65.6	66.7
480	min	47.2	48.8	50.1	51.2	52.1	52.8
600	min	42.4	43.9	45.1	46.0	46.7	47.2
1200	min	20.3	21.2	21.9	22.5	23.0	23.3

### - Discharge Rates in Amperes to Various End Voltages at 25°C (77°F)

End Voltage		1.85V	1.80V	1.75V	1.70V	1.65V	1.60V
Time							
20	min	162	182	205	226	243	254
30	min	157	178	191	201	210	217
60	min	92.7	103	110	117	122	126
120	min	61.4	64.9	68.1	70.7	73.2	75.3
180	min	46.3	48.5	50.7	52.6	54.3	55.8
240	min	36.5	38.7	40.4	41.9	43.2	44.3
300	min	31.0	32.8	34.3	35.6	36.7	37.7
360	min	28.4	30.2	30.9	31.6	32.2	32.8
480	min	22.9	24.0	24.6	25.1	25.5	25.9
600	min	19.2	20.0	20.5	20.9	21.3	21.6
1200	min	9.8	10.3	10.7	11.0	11.2	11.4

All data on the spec. sheet is an average value:

The tolerance range :  $X < 6\text{min}$  (+15%~-15%),  $6\text{min} \leq X < 10\text{min}$  (+12%~-12%),  $10\text{min} \leq X < 60\text{min}$  (+8%~-8%),  $X \geq 60\text{min}$  (+5%~-5%)

Contents in this data sheet are subject to change for improvement without prior notice to users. For clarifications and updated information, please contact us.

**CÔNG TY NGUYỄN HÀ**  
 AUTHORIZED REGIONAL MASTER DISTRIBUTOR IN VIETNAM  
 Address : 3/4 Nguyen Van Thu Street, Dakao Ward, District 1, HCM City  
 Tell : (028) 39.111.701 - Fax: (028) 39.111.700  
 Email : phanphoi@ecotek-canada.vn - dichvu@ecotek-canada.vn  
 Website : www.ecotek-canada.vn Call Center: 1800 1558

### Factory has been assessed and certified as meeting the requirements of:

- \* ISO 14001:2015 Certified by: SGS United Kingdom
- \* ISO 45001:2018 Certified by: SGS Taiwan
- \* ISO 9001:2015 Certified by: SGS-CSTC Standards Technical Services, China
- \* ISO/IEC 17025:2017 Certified by: Ministry Of Science and Technology Of Viet Nam

### FACTORY ADDRESS:

Duc My Industrial Cluster, Duc Hoa Dong Commune, Duc Hoa District, Long An Province, Viet Nam

INVESTMENT LICENSE No: 1013126870

ISSUED BY: DEPARTMENT OF PLANNING AND INVESTMENT OF LONG AN PROVINCE